

## Water wheel instructions

### Task:

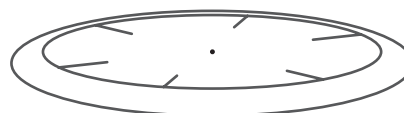
Work independently, or with a partner, to build a water wheel from recycled materials. It must be able to be turned by the flow of water.

### What you need:

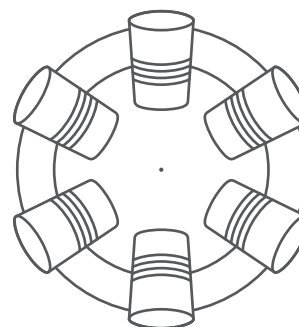
- Two plastic disposable dinner plates (large)
- Six plastic cups
- Wooden skewer, or piece of dowel (30cm or longer)
- Stapler
- Object that will pierce a hole (such as a hand drill, metal skewer, point of a compass, or scissors)
- Water
- Jug/tap

### Constructing the water wheel:

**Step 1:** Using a ruler, find the centre point of each plastic dinner plate. Carefully make a small hole through the centre points (the hole must be slightly bigger than the circumference of the skewer/dowel). Mark six equal segments around the edge of one side of one of the plastic dinner plates.

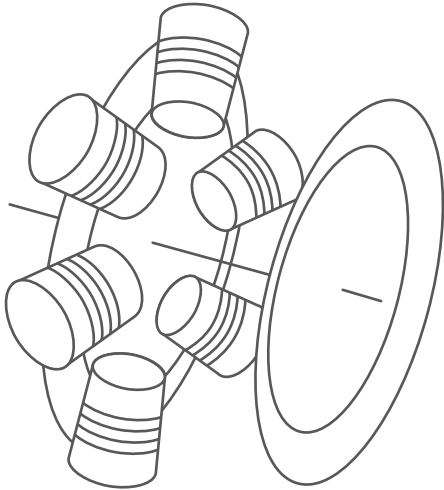


**Step 2:** Staple the plastic cups to the plate at each marking, keeping them at the same angle.

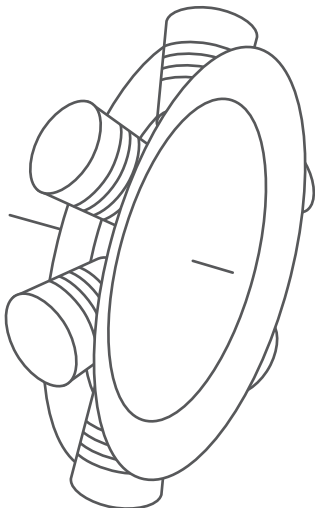


## Water wheel instructions

**Step 3:** Slide the wooden skewer/dowel through the hole in each plate, leaving enough sticking out at either side for the plates to hold on to.



**Step 4:** Staple the second plastic dinner plate to the other side of the plastic cups.



**Step 5:** With a partner and some running water, test the water wheel (remembering to conserve water by conducting the experiment over a bucket, grassed area or garden bed).

