



SLIVER3000 Solar System Panel Specifications

Your Origin SLIVER system will be supplied with one of the following sets of panels:

Manufacturer	Mono Or Poly	Size (Watts)	Panels Required To Achieve Minimum 3000 Watts
SLIVER	Mono	150	20
SLIVER	Mono	157	20

Please note all solar panels supplied are CEC accredited and compliant with IEC/EN61730 and IEC/EN61215 or IEC/EN61646.

The choice of panels will be at the **sole discretion** of our installer subject to such matters as stock availability.

Please see the following specification sheet for further details and panel specifications.

High-Performance Series IV 150W Monocrystalline Silicon Photovoltaic Module



Our patented SLIVER™ technology, with 70 parallel connections per module, delivers **near-linear partial shading response** from the module and reduces system losses in common transient shade conditions regularly found on site.

Yield is increased by low operating temperatures and low temperature coefficients due to the unique cell architecture.

With triple interconnect redundancy and very low interconnect current in a cell, SLIVER modules deliver **high reliability**.

Our patented manufacturing process delivers **distinctly different**, ultra-thin monocrystalline and perfectly **bifacial** SLIVER cells.

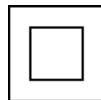
Lower silicon consumption (g/W) enables **faster energy payback** time.

SLIVER modules' improved shade tolerance enables **tighter row-to-row packing density**, allowing array footprints to be minimized.

25-year warranty – See Transform Solar Limited Warranty for more details.



- Qualified, IEC 61215
- Safety tested, IEC 61730
- ANSI/UL 1703 listed
- Periodic inspection



AS5033 Compliant



High-Performance Series IV 150W

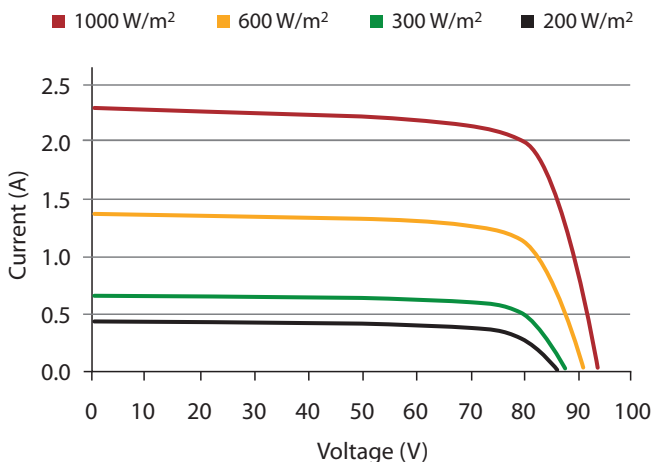
Monocrystalline Silicon Photovoltaic Solar Module

Electrical Performance

SVR-HP150IV	STC ⁽¹⁾ 1000 W/m ²	NOCT ⁽²⁾ 800 W/m ²
Maximum Power (Pmp)	150W	111.3W
Voltage @ Pmp	74.3V	68.4V
Current @ Pmp	2.02A	1.63A
Voltage Open-Circuit (V _{OC})	93.2V	87.3V
Current Short-Circuit (I _{SC})	2.27A	1.83A
Power Tolerance	±3%	-
NOCT Value	-	43°C
Temperature Coefficient Pmp	-0.41%/K	-
Temperature Coefficient I _{SC}	0.04%/K	-
Temperature Coefficient V _{OC}	-0.30%/K	-
Maximum System Voltage	600V	-
Maximum Series Fuse Rating	6A	-
Limiting Reverse Current	6A	-
Application Classification	Class A (IEC61730)	-

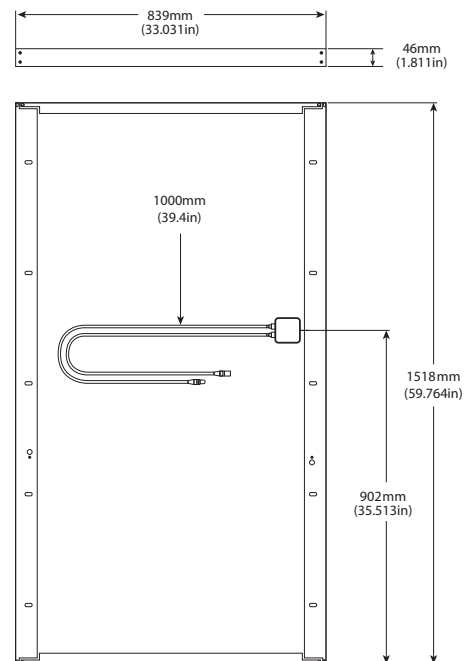
Note: Typical efficiency reduction @ 200 W/m² is less than 7%.
 (1) Standard test conditions (STC) – 1000 W/m² irradiance, 25°C, and 1.5 air mass spectrum.
 (2) Nominal operational cell temperature (NOCT) – 800 W/m² irradiance, 20°C ambient, and 1.5 air mass spectrum.

SLIVER IV Curve (Typical)



Mechanical Characteristics

SVR-HP150IV	
Dimensions (Length x width x depth)	1518 x 839 x 46mm (59.8 x 33.0 x 1.8in)
Weight	~17kg (~37.5 lbs)
Cell Type and Material	Monocrystalline silicon
Frame Material	Aluminum
Front Cover	3.2mm toughened glass
Encapsulant	EVA
Bypass Diode	1 per module
Junction Box Rating	IP67
Connectors	MC3- or MC4-compatible
PV Cable Length (each)	1000mm (39.4in)
PV Cable Area	2.5mm ² (#14AWG)



Transform Solar

8000 S. Federal Way
Boise, Idaho 83716 U.S.A.

sales@transformsolar.com
+1 208.395.8400

transformsolar.com



High-Performance Series IV 157W Monocrystalline Silicon Photovoltaic Module



Our patented SLIVER™ technology, with 70 parallel connections per module, delivers **near-linear partial shading response** from the module and reduces system losses in common transient shade conditions regularly found on site.

Yield is increased by low operating temperatures and low temperature coefficients due to the unique cell architecture.

With triple interconnect redundancy and very low interconnect current in a cell, SLIVER modules deliver **high reliability**.

Our patented manufacturing process delivers **distinctly different**, ultra-thin monocrystalline and perfectly **bifacial** SLIVER cells.

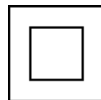
Lower silicon consumption (g/W) enables **faster energy payback** time.

SLIVER modules' improved shade tolerance enables **tighter row-to-row packing density**, allowing array footprints to be minimized.

25-year warranty – See Transform Solar Limited Warranty for more details.



- Qualified, IEC 61215
- Safety tested, IEC 61730
- ANSI/UL 1703 listed
- Periodic inspection



AS5033 Compliant



High-Performance Series IV 157W

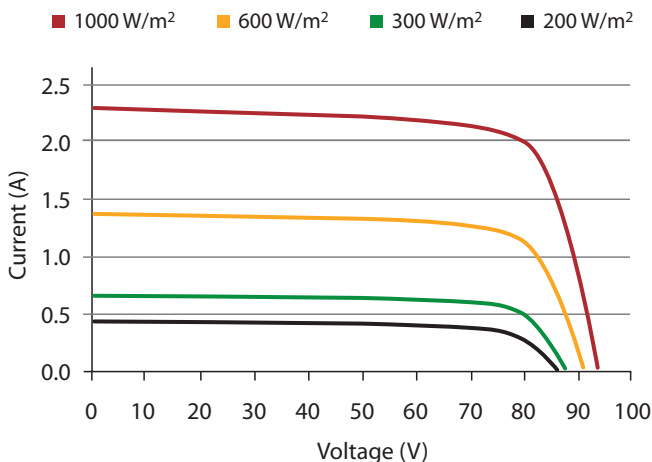
Monocrystalline Silicon Photovoltaic Solar Module

Electrical Performance

SVR-HP157IV	STC ⁽¹⁾ 1000 W/m ²	NOCT ⁽²⁾ 800 W/m ²
Maximum Power (Pmp)	157W	116.6W
Voltage @ Pmp	75.5V	69.6V
Current @ Pmp	2.08A	1.68A
Voltage Open-Circuit (V _{OC})	93.9V	88.0V
Current Short-Circuit (I _{SC})	2.28A	1.84A
Power Tolerance	±3%	-
NOCT Value	-	43°C
Temperature Coefficient Pmp	-0.41%/K	-
Temperature Coefficient I _{SC}	0.04%/K	-
Temperature Coefficient V _{OC}	-0.30%/K	-
Maximum System Voltage	600V	-
Maximum Series Fuse Rating	6A	-
Limiting Reverse Current	6A	-
Application Classification	Class A (IEC61730)	-

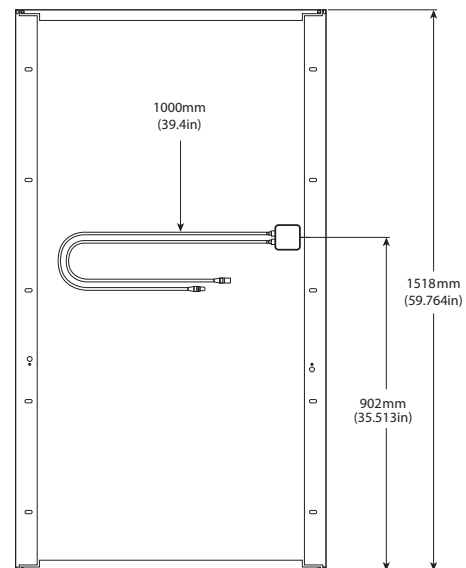
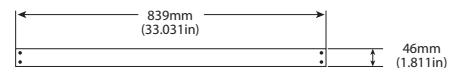
Note: Typical efficiency reduction @ 200 W/m² is less than 7%.
 (1) Standard test conditions (STC) – 1000 W/m² irradiance, 25°C, and 1.5 air mass spectrum.
 (2) Nominal operational cell temperature (NOCT) – 800 W/m² irradiance, 20°C ambient, and 1.5 air mass spectrum.

SLIVER IV Curve (Typical)



Mechanical Characteristics

SVR-HP157IV	
Dimensions (Length x width x depth)	1518 x 839 x 46mm (59.8 x 33.0 x 1.8in)
Weight	~17kg (~37.5 lbs)
Cell Type and Material	Monocrystalline silicon
Frame Material	Aluminum
Front Cover	3.2mm toughened glass
Encapsulant	EVA
Bypass Diode	1 per module
Junction Box Rating	IP67
Connectors	MC3- or MC4-compatible
PV Cable Length (each)	1000mm (39.4in)
PV Cable Area	2.5mm ² (#14AWG)



Transform Solar

8000 S. Federal Way
 Boise, Idaho 83716 U.S.A.

sales@transformsolar.com
 +1 208.395.8400

transformsolar.com

