



# airoheat<sup>®</sup>

heat pump specifications

**Australia's  
most awarded  
environmental  
water heater**

**thinkefficient**

*direct heat transfer for outstanding efficiency*

**thinksubzero**

*innovative de-icing function for cold climates*

**thinkinnovation**

*Australia's most awarded environmental  
water heater*



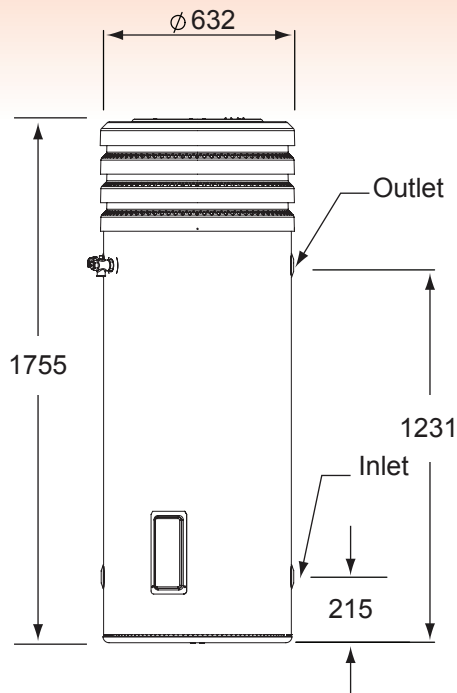
# airoheat<sup>®</sup> heat pump system

## Why is Airoheat so efficient?

Let's consider the efficiency of Airoheat in two parts.

The first part is the efficient creation of the heat using state of the art components.

The second part is how and where the heat is transferred into the water. What makes Airoheat so efficient is that the heat transfer occurs within the water inside the tank. As a result it gets direct heat transfer and isn't exposed to some of the heat loss issues associated with other styles of heat pump water heaters.



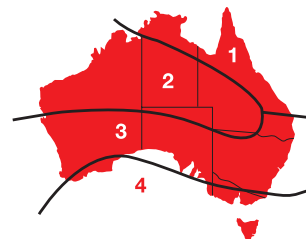
## Airoheat new features

- Airoheat now includes an innovative de-icing function so there's no need for a back-up element.
- Management by the innovative Hotlogic<sup>®</sup> controller allows the Airoheat to keep running in cold climates.
- Vented louvre design gives 38% faster recovery time over the original Airoheat system.\*

## Airoheat is still

- Compact, one piece design for an easier install
- An easy change over from an electric storage water heater
- Significantly lower on electrical consumption
- Very quiet
- A Small-Scale Technology Certificate (STC) approved product
- Full mains pressure delivery

\*Tested at 18°C ambient and 40% humidity.



SPECIFICATIONS	AIROHEAT
Capacity	250L
Net weight empty	113 kg
Power consumption (general tariff)	1.2 kW
Max water supply pressure	800kPa
Relief valve pressure	1000kPa
Free air flow	1500 m <sup>3</sup> /h
Rated voltage	240V ac
Evaporator area	0.36 m <sup>2</sup>

Not suitable for installation in alpine areas or areas above 1000m.

## STCs Table – Heat Pump

PRODUCT CODE: D2FHG3000C	STCS ZONE			
	1	2	3	4
250 Litres Airoheat heat pump	23	23	28	29

STC values are subject to change without notice and are correct at time of printing. STCs calculations are based on continuous tariff.

CAPACITY (LITRES)	PEOPLE
250	3-5

Size figures are based on environmental averages which can affect the performance of solar and heat pump heaters. Adult icon can represent dishwasher or washing machine. An adult icon does not represent a spa bath. Based on connection to continuous tariff.



©Dux Manufacturing Limited ABN 19 077 879 844. Lackey Rd, PO Box 209 Moss Vale, NSW 2577  
 The information supplied was correct at time of printing. Specification and materials may change without notice.  
 ® and ™ indicate trademarks of Dux Manufacturing Limited. Dux Manufacturing Limited is part of a publicly listed Australian company.  
 RTA: AU12953



GWA  
Smarter Solutions