

Gas



**“Energy efficient
continuous flow hot water
on demand”**



AQUAMAX CONTINUOUS FLOW GAS WATER HEATERS

AquaMAX Continuous Flow gas water heaters are a great option when you need compact energy efficient water heating.

AquaMAX Continuous Flow Water Heaters

AquaMAX Continuous Flow gas water heaters offer a continuous hot water supply for your home.

Conveniently mounted to an external wall or recessed in a box¹, AquaMAX Continuous Flow gas water heaters are created for tight spots where installation space is at a premium². Backed by a 10 year heat exchanger warranty³, these 5 star energy efficient water heaters will keep your family in hot water.

YOU CAN RELY ON AQUAMAX

AquaMAX continues to provide energy efficient products that make better use of our precious resources. Our understanding of Australian conditions and Australian demands allows us to offer water heater options suited to local needs.

SOLAR COMPATIBLE

AquaMAX Continuous Flow water heaters are solar compatible; this allows you to install a 60°C AquaMAX 20 or 26 water heater and have hot water the same day, and then take time to choose the best AquaMAX Gas Boosted Solar system upgrade option.

As an installation option, AquaMAX Continuous Flow gas water heaters may be installed with one or more user adjustable temperature controllers. This will give you the flexibility to choose the most suitable temperature for your hot water needs.⁴

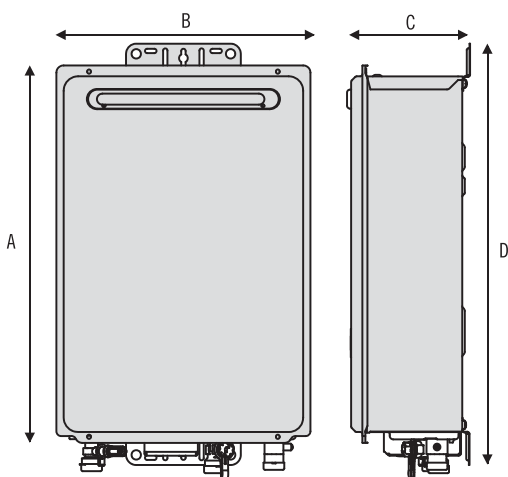


AquaMAX Continuous Hot Water Heaters

Specifications

AquaMAX 20

AquaMAX 26



FOR EXTERNAL INSTALLATION ONLY

Number of Bathrooms	1.5-2	2-2.5
Gas Type	Natural/LPG	Natural/LPG
Gas Energy Rating	5.0 Stars	5.2 Stars
Flow Rate L/min at 25°C rise	20L/min	26L/min
Minimum Operating Flow Rate	2.5L/min	3.0L/min
Nominal Gas Consumption	153 MJ/hr	199 MJ/hr
Weight (empty)	18kg	21kg
Max. Water Supply Pressure	1000kPa	1000kPa
Min Water Supply Pressure	140kPa	140kPa
Hot & Cold Water Connection	R 3/4" / 20 male	R 3/4" / 20 male
Gas Connection	R 3/4" / 20 male	R 3/4" / 20 male
Preset Temperature Options	50°C or 60°C	50°C or 60°C
A - Height mm	520	565
B - Width mm	350	350
C - Depth mm	163	205
D - Height mm	592	647

1. Additional Recess Box (AquaMAX Part No. AQ0350101) available for purchase to recess the continuous flow water heater. **2.** Please refer powered flue clearance regulations and requirements for your region. **3.** Full Warranty conditions available on request from AquaMAX Australia Pty Ltd. Call Toll Free 1800 676 000 or view at www.aquamax.com.au **4.** Temperature range may vary according to model purchased. Temperature controllers are not available for solar installation.



Aquamax Australia Pty Ltd 463-467 Warrigal Road Moorabbin Vic 3189 **Toll Free: 1800 676 000**
 Ph: (03) 9532 2200 Sales Fax: (03) 9532 5244 Service Fax: (03) 9556 5534 A.B.N. 37 138 189 689
 Email: sales@aquamax.com.au For more information visit www.aquamax.com.au